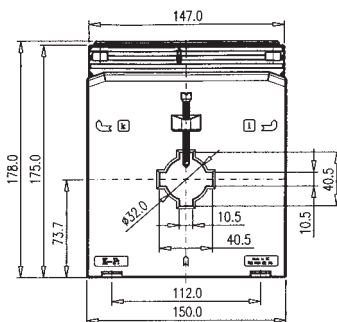
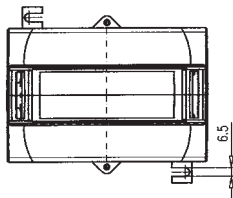
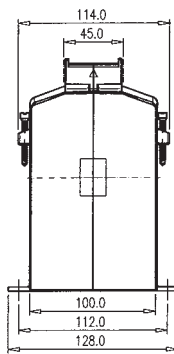




SASK 41.10

Protection plug-in current transformer



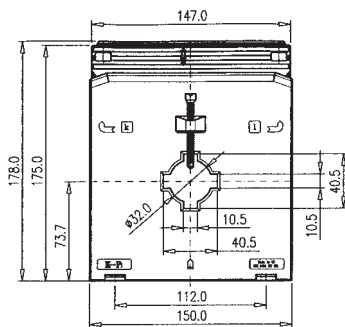
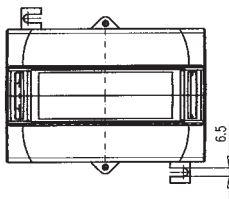
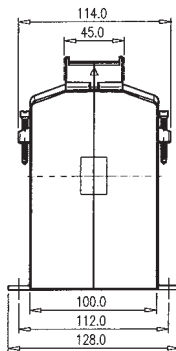
Secondary current		5A			
Primary current A	Burden VA	Protection class			
		5P5 Art.-no.	10P5 Art.-no.	5P10 Art.-no.	10P10 Art.-no.
100	5	S31-1306F	S31-1307F		S31-1309F
	7.5	S31-1306G	S31-1307G		
	10	S31-1306H	S31-1307H		
	15		S31-1307J		
150	5	S31-1606F	S31-1607F		
	7.5	S31-1606G	S31-1607G		
	10	S31-1606H	S31-1607H		
	15	S31-1606J	S31-1607J		
200	5	S31-1706F	S31-1707F	S31-1708F	S31-1709F
	7.5	S31-1706G	S31-1707G	S31-1708G	S31-1709G
	10	S31-1706H	S31-1707H		S31-1709H
	15	S31-1706J	S31-1707J		
250	5	S31-1806F	S31-1807F	S31-1808F	S31-1809F
	7.5	S31-1806G	S31-1807G	S31-1808G	S31-1809G
	10	S31-1806H	S31-1807H	S31-1808H	S31-1809H
	15	S31-1806J	S31-1807J		S31-1809J
300	5	S31-1906F	S31-1907F	S31-1908F	S31-1909F
	7.5	S31-1906G	S31-1907G	S31-1908G	S31-1909G
	10	S31-1906H	S31-1907H	S31-1908H	S31-1909H
	15	S31-1906J	S31-1907J		S31-1909J
400	5	S31-2006F	S31-2007F	S31-2008F	S31-2009F
	7.5	S31-2006G	S31-2007G	S31-2008G	S31-2009G
	10	S31-2006H	S31-2007H	S31-2008H	S31-2009H
	15	S31-2006J	S31-2007J	S31-2008J	S31-2009J
500	5	S31-2106F	S31-2107F	S31-2108F	S31-2109F
	7.5	S31-2106G	S31-2107G	S31-2108G	S31-2109G
	10	S31-2106H	S31-2107H	S31-2108H	S31-2109H
	15	S31-2106J	S31-2107J	S31-2108J	S31-2109J
600	5	S31-2206F	S31-2207F	S31-2208F	S31-2209F
	7.5	S31-2206G	S31-2207G	S31-2208G	S31-2209G
	10	S31-2206H	S31-2207H	S31-2208H	S31-2209H
	15	S31-2206J	S31-2207J	S31-2208J	S31-2209J
750	5	S31-2306F	S31-2307F	S31-2308F	S31-2309F
	7.5	S31-2306G	S31-2307G	S31-2308G	S31-2309G
	10	S31-2306H	S31-2307H	S31-2308H	S31-2309H
	15	S31-2306J	S31-2307J	S31-2308J	S31-2309J
800	5	S31-2406F	S31-2407F	S31-2408F	S31-2409F
	7.5	S31-2406G	S31-2407G	S31-2408G	S31-2409G
	10	S31-2406H	S31-2407H	S31-2408H	S31-2409H
	15	S31-2406J	S31-2407J	S31-2408J	S31-2409J

Primary conductor	40 x 10 mm
Round conductor	Ø 32 mm
Transformer width	150 mm
Snap-on mounting	—
Sealed shutter	—



SASK 41.10

Protection plug-in current transformer



Secondary current		1A			
Primary current A	Burden VA	Protection class			
		5P5 Art.-no.	10P5 Art.-no.	5P10 Art.-no.	10P10 Art.-no.
100	5	S31-1316F	S31-1317F		S31-1319F
	7.5	S31-1316G	S31-1317G		
	10	S31-1316H	S31-1317H		
	15		S31-1317J		
150	5	S31-1616F	S31-1617F		S31-1619F
	7.5	S31-1616G	S31-1617G		
	10	S31-1616H	S31-1617H		
	15	S31-1616J	S31-1617J		
200	5	S31-1716F	S31-1717F	S31-1718F	S31-1719F
	7.5	S31-1716G	S31-1717G	S31-1718G	S31-1719G
	10	S31-1716H	S31-1717H		S31-1719H
	15	S31-1716J	S31-1717J		
250	5	S31-1816F	S31-1817F	S31-1818F	S31-1819F
	7.5	S31-1816G	S31-1817G	S31-1818G	S31-1819G
	10	S31-1816H	S31-1817H	S31-1818H	S31-1819H
	15	S31-1816J	S31-1817J		S31-1819J
300	5	S31-1916F	S31-1917F	S31-1918F	S31-1919F
	7.5	S31-1916G	S31-1917G	S31-1918G	S31-1919G
	10	S31-1916H	S31-1917H	S31-1918H	S31-1919H
	15	S31-1916J	S31-1917J		S31-1919J
400	5	S31-2016F	S31-2017F	S31-2018F	S31-2019F
	7.5	S31-2016G	S31-2017G	S31-2018G	S31-2019G
	10	S31-2016H	S31-2017H	S31-2018H	S31-2019H
	15	S31-2016J	S31-2017J	S31-2018J	S31-2019J
500	5	S31-2116F	S31-2117F	S31-2118F	S31-2119F
	7.5	S31-2116G	S31-2117G	S31-2118G	S31-2119G
	10	S31-2116H	S31-2117H	S31-2118H	S31-2119H
	15	S31-2116J	S31-2117J	S31-2118J	S31-2119J
600	5	S31-2216F	S31-2217F	S31-2218F	S31-2219F
	7.5	S31-2216G	S31-2217G	S31-2218G	S31-2219G
	10	S31-2216H	S31-2217H	S31-2218H	S31-2219H
	15	S31-2216J	S31-2217J	S31-2218J	S31-2219J
750	5	S31-2316F	S31-2317F	S31-2318F	S31-2319F
	7.5	S31-2316G	S31-2317G	S31-2318G	S31-2319G
	10	S31-2316H	S31-2317H	S31-2318H	S31-2319H
	15	S31-2316J	S31-2317J	S31-2318J	S31-2319J
800	5	S31-2416F	S31-2417F	S31-2418F	S31-2419F
	7.5	S31-2416G	S31-2417G	S31-2418G	S31-2419G
	10	S31-2416H	S31-2417H	S31-2418H	S31-2419H
	15	S31-2416J	S31-2417J	S31-2418J	S31-2419J

Primary conductor	40 x 10 mm
Round conductor	Ø 32 mm
Transformer width	150 mm
Snap-on mounting	—
Sealed shutter	—